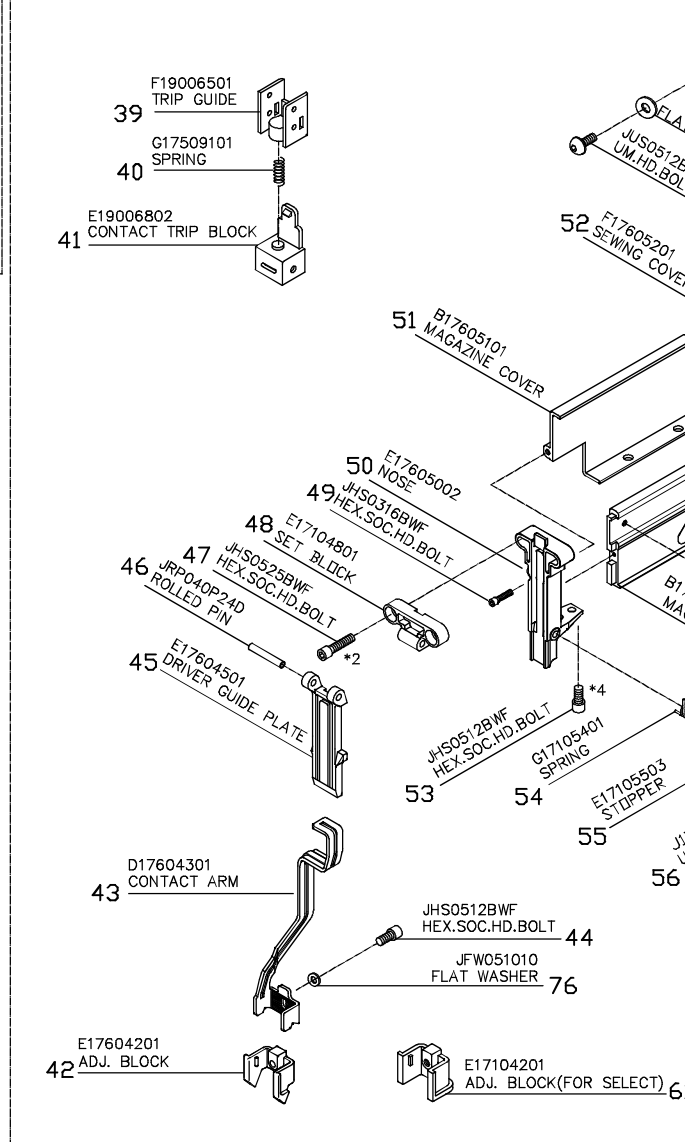
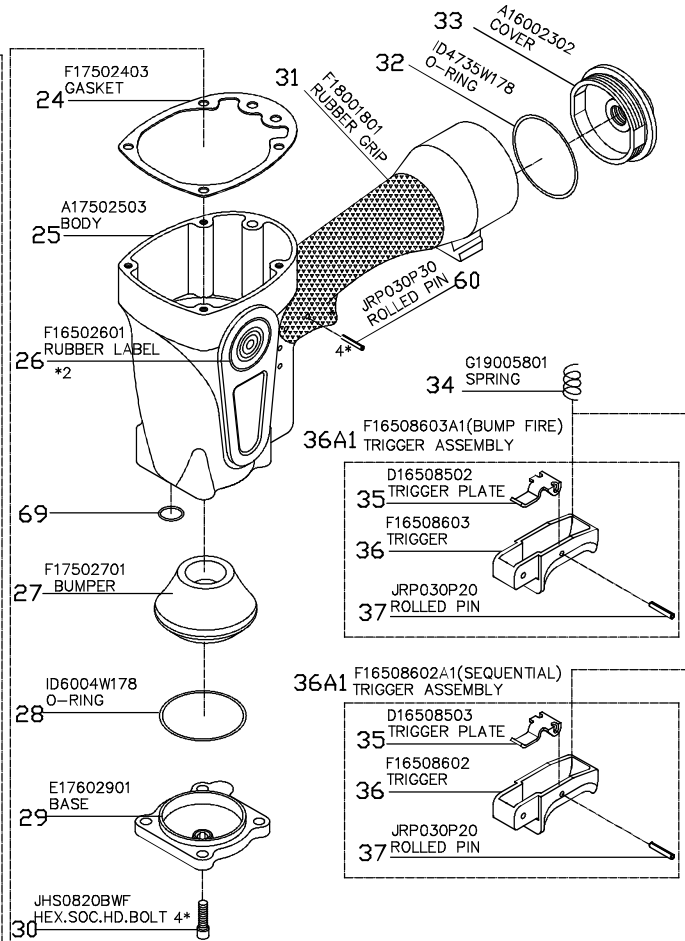
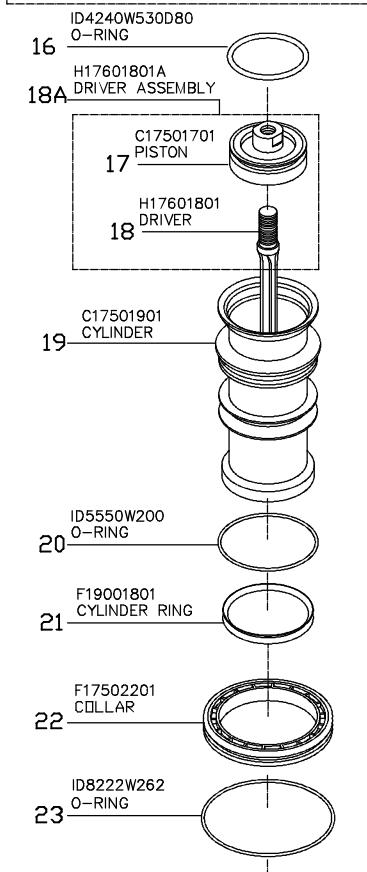
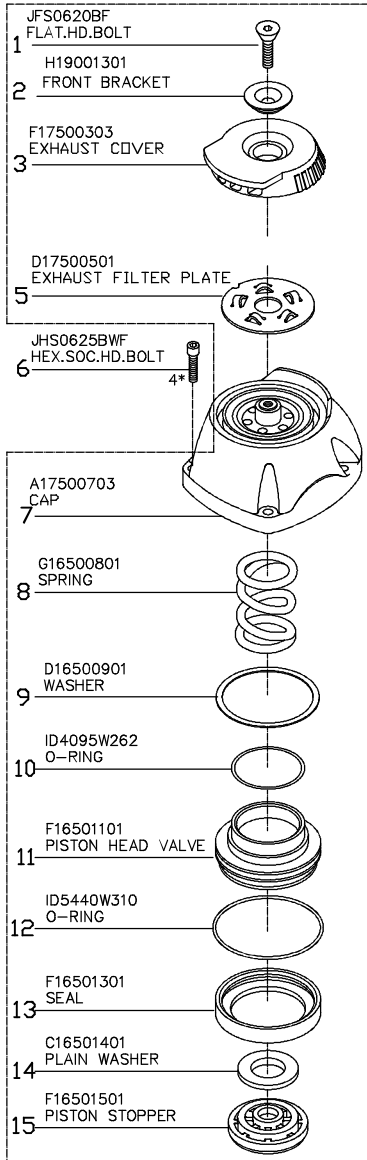
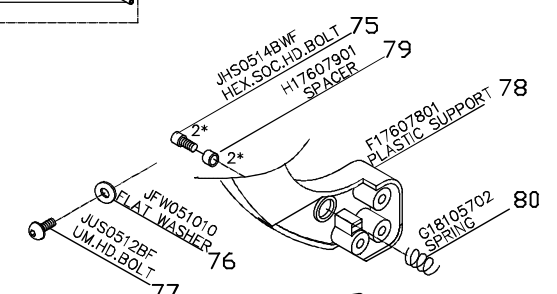
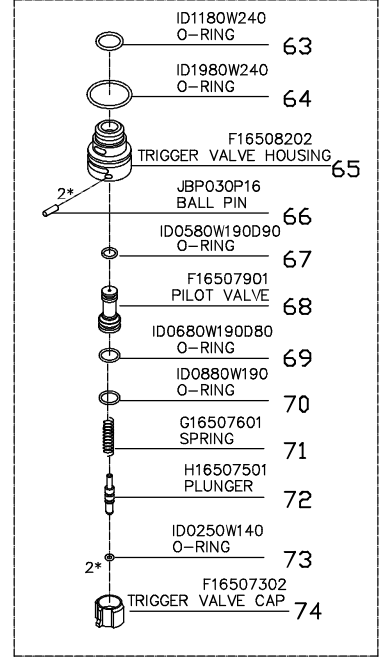


7A2 A17500703A2
CAP ASM.



65A2 F16508202A2
SWITCH ASM.



TFS-15864Q